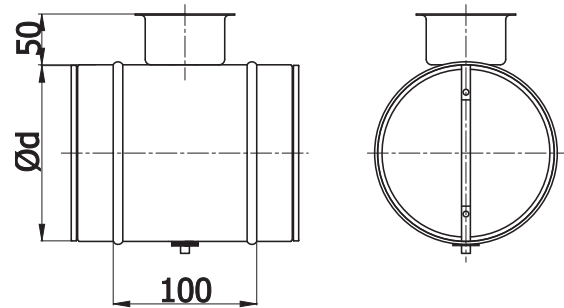


**Opis**

The DAS damper is designed so as to admit an insulation thickness of up to 50mm. The DAS damper is applicable wherever completely airtight shut-off is not required. The damper blade can be adjusted on the handle within a range of 0° to 90°. The blade can be locked using a screw. Endings are made with a safe edge.

Example identificationProduct code: **DAS - aaa**
 type _____
 Ød₁ _____
Dimensions

Ød ₁ rated [mm]	weight [kg]
80	0,40
100*	0,45
125*	0,55
140	0,60
150*	0,65
160*	0,70
180	0,75
200*	0,80
224	0,90
250	1,20
280	1,40
300	1,50
315	1,60
355	2,00
400	2,60
450	3,50
500	4,00
560	4,80
600	5,20
630	5,70

* made with pressed blades.

Dampers with diameter bigger than 630mm should be used as multi-blade damper with concentric rectangular-to-round reducer.