

# Alternating Dampers for Servomotor

## DATVTML

[Download Wentyle](#)  
[Download AlnorCAM](#)  
[Buy via B2B](#)



### Description

The alternating dampers replace two standard dampers, a T-piece and couplings, but in addition they are shorter by 20-30%.

#### DATVTML

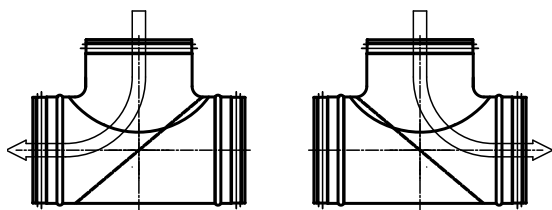
The damper is driven by electric servomotor.  
To select the right servomotor, see page 150.

#### Example identification

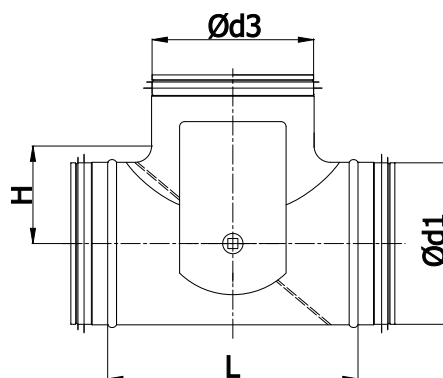
Product code: **DATVTML - aaa - bbb**

type \_\_\_\_\_  
 $\varnothing d_1$  \_\_\_\_\_  
 motor \_\_\_\_\_

### Dimensions



### Dimensions



$\varnothing d_1$ rated [mm]	$\varnothing d_3$ rated [mm]	L [mm]	H [mm]	weight [kg]
100	100	150	65	0,8
125	125	184	83	1,1
160	160	229	105	1,7
200	200	281	125	2,2
250	250	307	150	3,4
315	315	390	182	4,9