



Description

The alternating dampers replace two standard dampers, a T-piece and couplings.

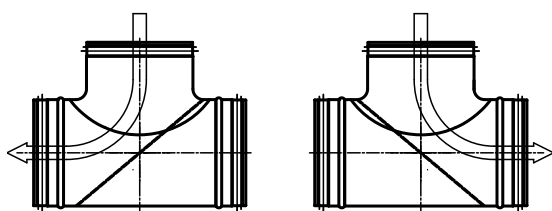
Manual alternating damper. Also available as DATVSL, without blade sealing.

Example identification

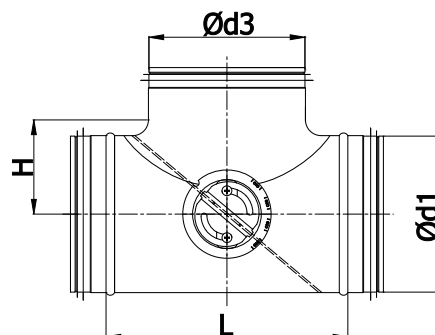
Product code: **DATVTL- aaa**

type _____
 $\varnothing d_1$ _____

Dimensions



Dimensions



$\varnothing d_1$ rated [mm]	$\varnothing d_3$ rated [mm]	L [mm]	H [mm]	weight [kg]
100	100	151	65	0,8
125	125	184	83	1,1
160	160	229	105	1,7
200	200	281	125	2,2
250	250	307	150	3,4
315	315	390	182	4,9