

# Ball jet diffuser

## KHA



### Description

The KHA ball jet diffuser is intended for supplying fresh air to high and very large areas, including theatre halls, cinema auditoria, or industrial bays. The high volumetric air flow from the diffuser has a low sound pressure level and provides a very long air flow range.

The ball jet diffuser can be installed for supplying air either horizontally or vertically.

The ball jet nozzle can be adjusted in any direction within 30° from the centreline without affecting the air flow resistance or the sound pressure level.

The KHA ball jet diffuser has a male inward connection.

**Material:** aluminium

**Finish:** RAL 9016 powder-coated

Standard colour: white

#### Available materials — Product code examples

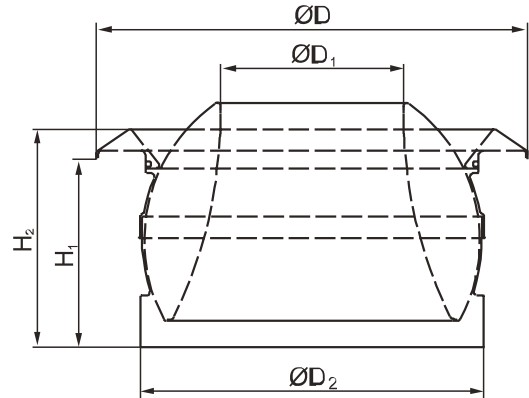
KHA-...- RAL 9016 powder coat

#### Product code example

Product code: **KHA - aaa**

type \_\_\_\_\_  
 $\varnothing D_1$  \_\_\_\_\_

### Dimensions



| Model   | $\varnothing D$<br>[mm] | $\varnothing D_1$<br>[mm] | $\varnothing D_2$<br>[mm] | $H_1$<br>[mm] | $H_2$<br>[mm] |
|---------|-------------------------|---------------------------|---------------------------|---------------|---------------|
| KHA-100 | 139                     | 45                        | 98                        | 57            | 72            |
| KHA-125 | 170                     | 60                        | 123                       | 73            | 90            |
| KHA-160 | 210                     | 80                        | 158                       | 90            | 110           |
| KHA-200 | 264                     | 105                       | 198                       | 108           | 132           |
| KHA-250 | 315                     | 128                       | 247                       | 137           | 183           |
| KHA-315 | 388                     | 163                       | 313                       | 170           | 200           |
| KHA-400 | 495                     | 210                       | 397                       | 216           | 250           |
| KHA-500 | 617                     | 256                       | 496                       | 257           | 300           |
| KHA-630 | 780                     | 324                       | 626                       | 331           | 380           |

**Technical specifications**

| Dimension<br>[mm] | throw distance with isothermal operation and final velocity $v$ |                      |                |                              |                      |                |                              |                      |                | $v$<br>[m/s] |
|-------------------|---|----------------------|----------------|------------------------------|----------------------|----------------|------------------------------|----------------------|----------------|--------------|
|                   | 10 m  |                      |                | 20 m                         |                      |                | 30 m                         |                      |                |              |
|                   | $q_v$<br>[m <sup>3</sup> /h]                                    | $\Delta p_t$<br>[Pa] | $L_{wA}$ dB(A) | $q_v$<br>[m <sup>3</sup> /h] | $\Delta p_t$<br>[Pa] | $L_{wA}$ dB(A) | $q_v$<br>[m <sup>3</sup> /h] | $\Delta p_t$<br>[Pa] | $L_{wA}$ dB(A) |              |
| 100               | -   | -                    | -              | 95                           | 86                   | 29             | 140                          | 175                  | 39             | 0,25         |
| 125               | -   | -                    | -              | 124                          | 71                   | 25             | 180                          | 136                  | 36             |              |
| 160               | 83  | 11                   | <20            | 162                          | 26                   | <20            | 250                          | 98                   | 35             |              |
| 200               | 100   | 6                    | <20            | 221                          | 29                   | <20            | 306                          | 69                   | 27             |              |
| 250               | 135   | -                    | <20            | 276                          | 8.3                  | <20            | 382                          | 31                   | 22             |              |
| 315               | 180   | -                    | <20            | 352                          | 11                   | <20            | 540                          | 39                   | 20             |              |
| 400               | 234   | -                    | <20            | 468                          | 8.0                  | <20            | 702                          | 13                   | <20            |              |
| 500               | 279   | -                    | <20            | 527                          | 6.5                  | <20            | 865                          | 8                    | <20            |              |
| 630               | 364   | -                    | -              | 701                          | -                    | -              | 1111                         | 8                    | 7              |              |
| 100               | 94  | 86                   | 29             | 181                          | 300                  | 50             | -                            | -                    | -              | 0,5          |
| 125               | 122   | 71                   | 25             | 240                          | 264                  | 46             | -                            | -                    | -              |              |
| 160               | 165   | 26                   | <20            | 330                          | 115                  | 44             | 497                          | 200                  | 55             |              |
| 200               | 220   | 29                   | <20            | 439                          | 120                  | 38             | 655                          | 218                  | 50             |              |
| 250               | 274   | 8.3                  | <20            | 541                          | 60                   | 34             | 825                          | 112                  | 45             |              |
| 315               | 350   | 11                   | <20            | 682                          | 55                   | 28             | 1055                         | 104                  | 40             |              |
| 400               | 460   | 8                    | <20            | 914                          | 32                   | 20             | 1394                         | 69                   | 33             |              |
| 500               | 545   | 6                    | <20            | 1233                         | 21                   | 15             | 1650                         | 45                   | 28             |              |
| 630               | 710   | -                    | -              | 1527                         | 15                   | 17             | 2136                         | 29                   | 27             |              |
| 100               | 187   | 300                  | 50             | -                            | -                    | -              | -                            | -                    | -              | 1,0          |
| 125               | 249   | 265                  | 42             | -                            | -                    | -              | -                            | -                    | -              |              |
| 160               | 330   | 113                  | 44             | -                            | -                    | -              | -                            | -                    | -              |              |
| 200               | 435   | 123                  | 38             | 875                          | 312                  | -              | -                            | -                    | -              |              |
| 250               | 548   | 63                   | 34             | 1100                         | 160                  | 53             | -                            | -                    | -              |              |
| 315               | 700   | 57                   | 28             | 1400                         | 150                  | 48             | 2100                         | 243                  | -              |              |
| 400               | 930   | 32                   | 20             | 1860                         | 123                  | 42             | 2796                         | 265                  | 50             |              |
| 500               | 1146  | 26                   | 14             | 2245                         | 95                   | 37             | 3280                         | 290                  | 49             |              |
| 630               | 1469  | 36                   | 14             | 2879                         | 53                   | 36             | 4150                         | 110                  | 47             |              |